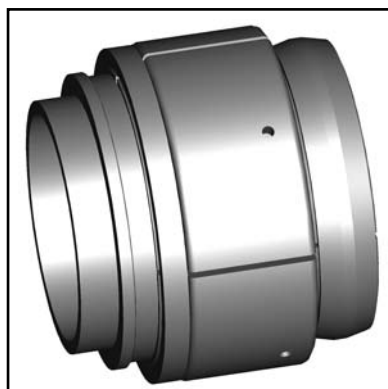
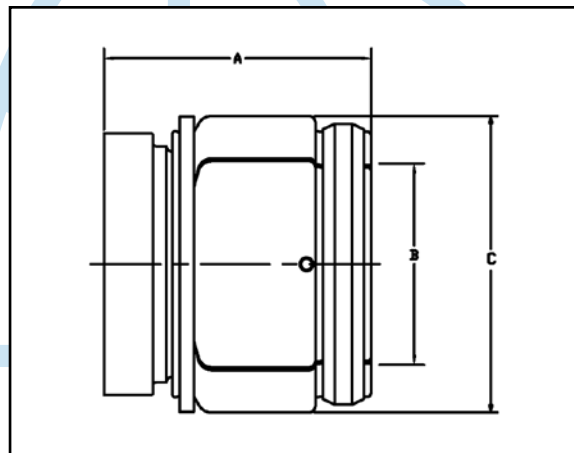
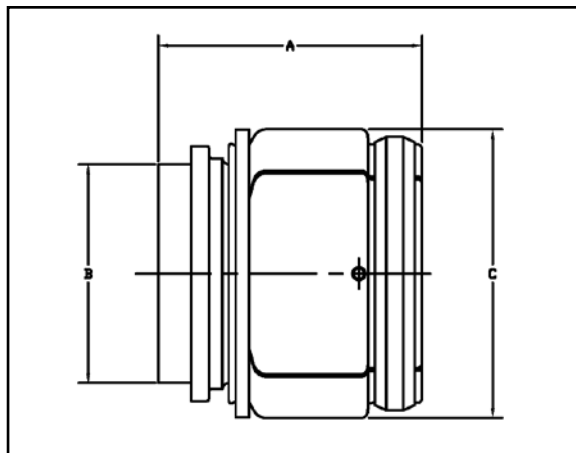
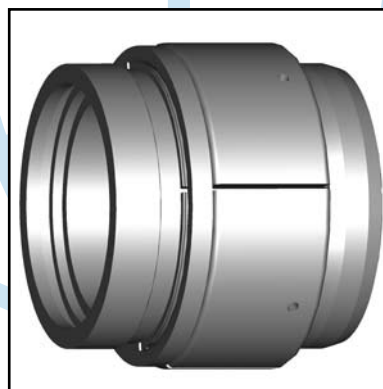


COUPLING • Drawing 805-4472628

Hose Coupling, Male Clamp End (190418)
 Hose Coupling, Female Clamp End (190419)



190418-4-64
 MALE



190419-4-64
 FEMALE

Part Number	Dimensions			I.P.S. Size	NSN
	A	B	C		
190418-2-1/2-40	4.66"	3.00"	3.96"	2.5"	unassigned
190418-4-64	4.86"	4.12"	5.50"	4"	4730-00-007-2194
190418-6-96	6.56"	6.25"	7.82"	6"	4730-00-793-9811
190418-7-7	7.56"	7.25"	9.00"	7"	4730-00-793-9810
190419-2-1/2-40	4.61"	2.06"	3.96"	2.5"	unassigned
190419-4-64	4.80"	3.70"	5.50"	4"	4730-00-007-2195
190419-6-96	6.41"	5.80"	7.85"	6"	4730-00-793-9808
190419-7-7	7.41"	6.70"	9.00"	7"	4730-00-793-9809



Underway Replenishment Systems
 Navy Standard Valves
 Fluid Control Systems

Telephone: 814-445-9671 • FAX: 814-443-1453
 www.globalsfc.com • www.unrep.us