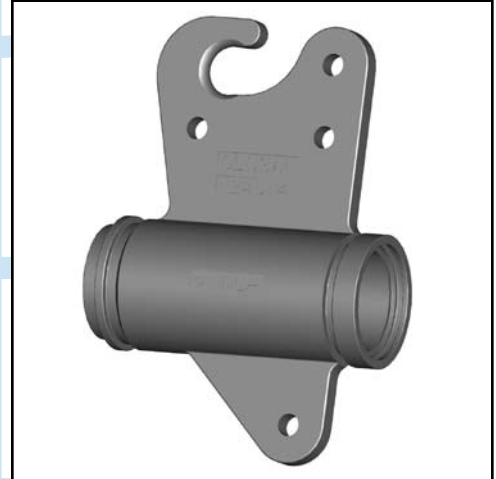
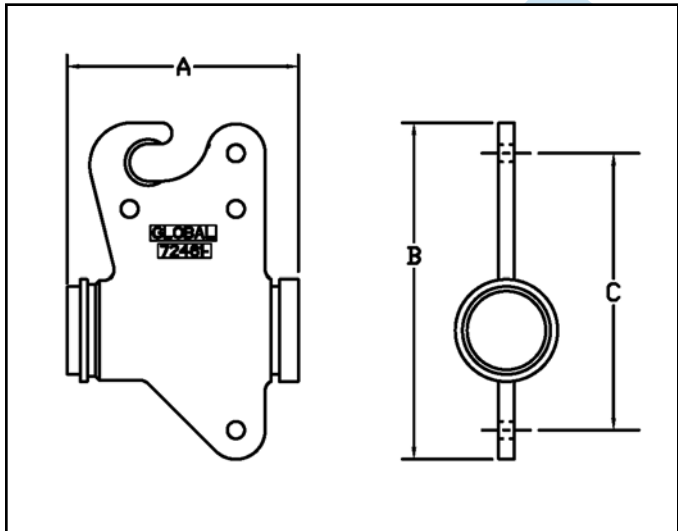


Riding Line Flow Through, Aluminum



72461-4 Shown

Part Number	Dimensions			I.P.S. Size	NSN
	A	B	C		
72461-2-1/2D	10.83"	12.38"	9.62"	2.5"	4730-01-105-9486
72461-4D	10.88"	15.75"	13.00"	4"	4730-01-291-6648
72461-6D	11.50"	16.73"	13.97"	6"	4730-00-370-9484
72461-7D	11.50"	17.69"	14.92"	7"	4730-01-022-3966



Underway Replenishment Systems
Navy Standard Valves
Fluid Control Systems

Telephone: 814-445-9671 • FAX: 814-443-1453
www.globalstfc.com • www.unrep.us