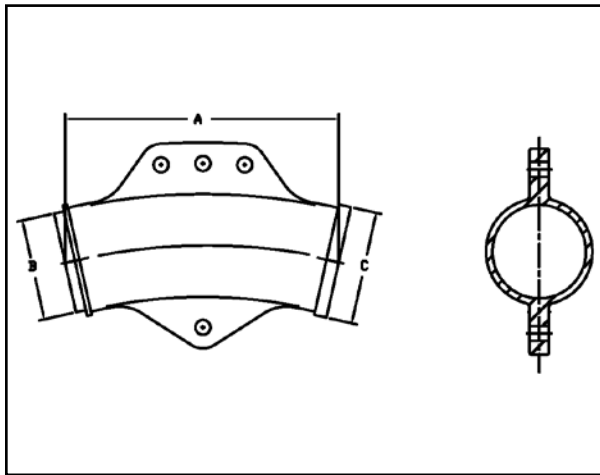
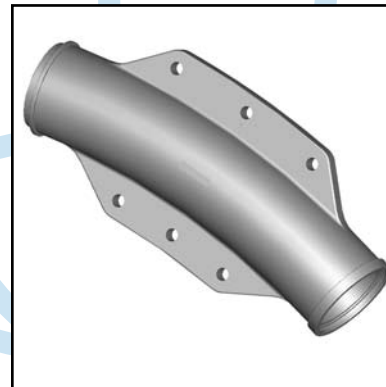
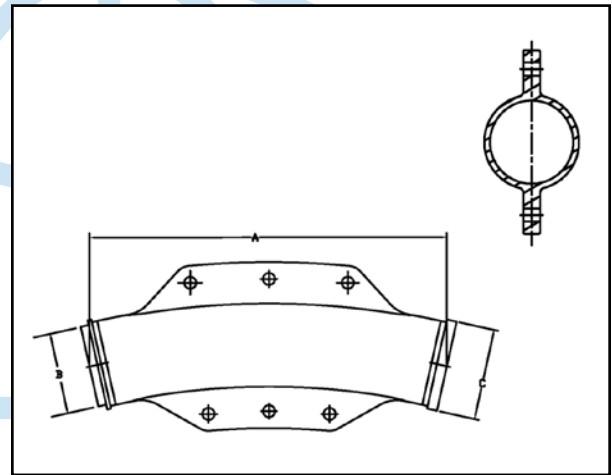


Flow Through Saddles, Single or Double Hose Type A, Aluminum



Type B—Flow Through Saddle, Upper Rig



Part Number	Dimensions			I.P.S. Size	NSN
	A	B	C		
Type A – Flow Through Saddles, Single or Double Hose					
72430-2-1/2D	11.73"	3.00"	3.75"	2.5"	4730-01-134-7821
72430-4D	19.34"	4.12"	4.81"	4"	4730-01-106-8915
72430-6D	18.74"	6.25"	7.10"	6"	4730-00-900-8534
72430-7D	18.91"	7.25"	8.10"	7"	4730-00-900-8535
Type B – Flow Through Saddle					
72460-7D	31.74"	7.25"	8.10"	7"	4730-00-900-8536



Underway Replenishment Systems
Navy Standard Valves
Fluid Control Systems

Telephone: 814-445-9671 • FAX: 814-443-1453
www.globalsfc.com • www.unrep.us