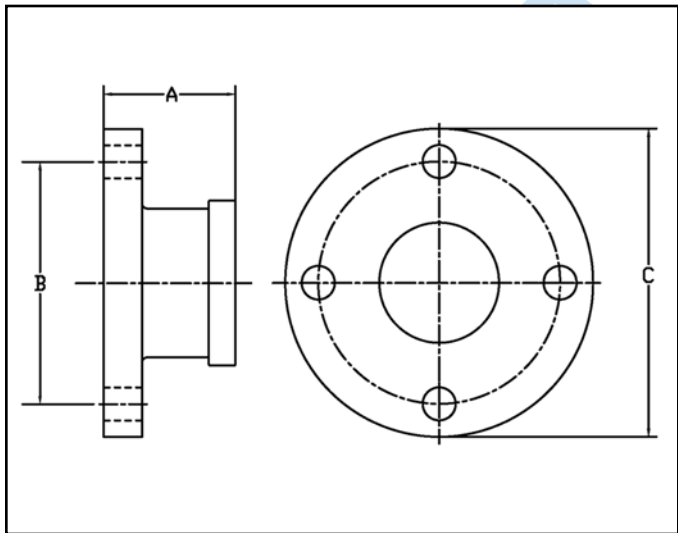
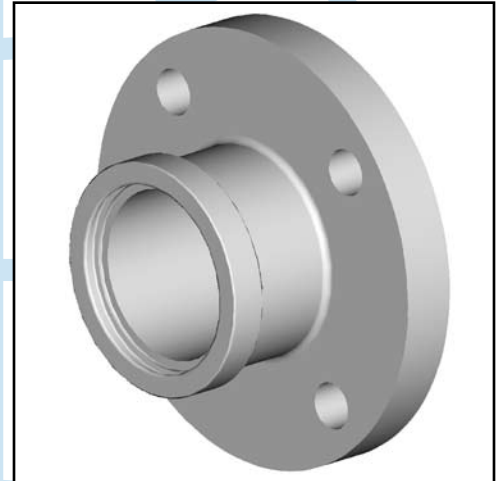


Flange to Female Split Clamp End, Aluminum



72078-2-1/2-40D Shown

72078-2-1/2-40D Shown



Part Number	Dimensions			Flange End Size	Female Split Clamp End	Holes	NSN
	A	B	C				
72078-2-1/2-40D	3.00"	5.50"	7.00"	2.5"	2.5"	4	4730-01-416-8588
4472647-4F-25FS	3.13"	4.75"	11.00"	4"	2.5"	8	unassigned
72078-4-64D	3.09"	7.50"	9.00"	4"	4"	8	4730-01-261-1031
72078-6-64D	3.51"	9.50"	11.00"	6"	4"	8	unassigned
72078-6-96D	2.94"	9.50"	11.00"	6"	6"	8	4730-00-817-7779
72078-6-7D	2.94"	9.50"	11.00"	6"	7"	8	4730-01-022-5943
72078-7-7D	3.12"	10.75"	12.50"	7"	7"	8	4730-00-453-9037
72078-8-7D	3.12"	11.75"	13.50"	8"	7"	8	unassigned



Underway Replenishment Systems
Navy Standard Valves
Fluid Control Systems

Telephone: 814-445-9671 • FAX: 814-443-1453
www.globalsfc.com • www.unrep.us