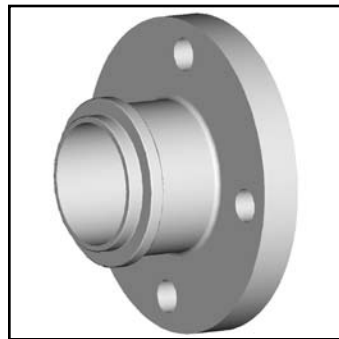
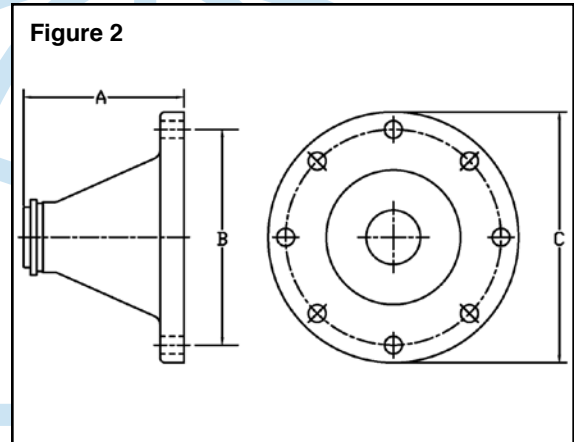
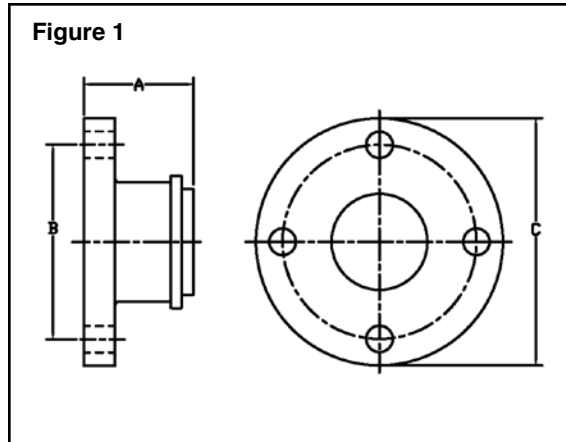
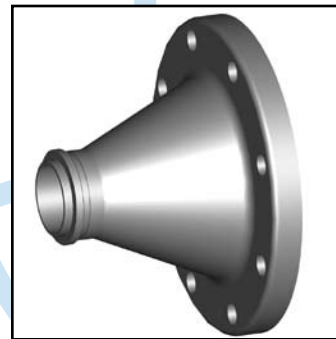


Flange to Male Split Clamp End, Aluminum



73537-2-1/2-40D Shown



73537-7-40D Shown

Part Number	Dimensions			Flange End Size	Male Split Clamp End	Holes	NSN
	A	B	C				
Figure 1							
73537-2-1/2-40D	3.10"	5.50"	7.00"	2.5"	2.5"	4	4730-01-416-8589
73537-4-64D	3.15"	7.50"	9.00"	4"	4"	8	4730-00-005-7370
73537-5-64D	3.21"	8.50"	10.00"	5"	4"	8	unassigned
73537-6-64D	3.57"	9.50"	11.00"	6"	4"	8	4730-00-007-9404
73537-6-96D	3.31"	9.50"	11.00"	6"	6"	8	4730-00-817-7778
73537-6-7D	3.31"	9.50"	11.00"	6"	7"	8	4730-01-022-6092
73537-7-96D	3.50"	10.75"	12.50"	6"	6"	8	unassigned
73537-7-7D	3.50"	10.75"	12.50"	7"	6"	8	4730-00-793-9815
73537-8-7D	3.50"	11.75"	13.50"	8"	7"	8	4730-01-313-5409
Figure 2							
73537-7-40D	8.00"	10.75"	12.50"	7"	2.5"	8	unassigned
73537-8-40D	8.00"	11.75"	13.50"	8"	2.5"	8	unassigned



Underway Replenishment Systems
Navy Standard Valves
Fluid Control Systems

Telephone: 814-445-9671
FAX: 814-443-1453
www.globalsfc.com
www.unrep.us