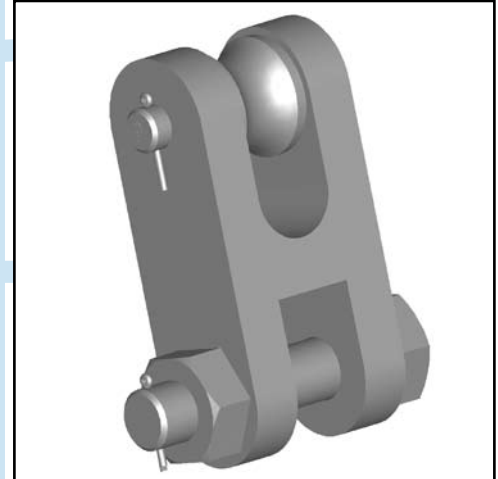
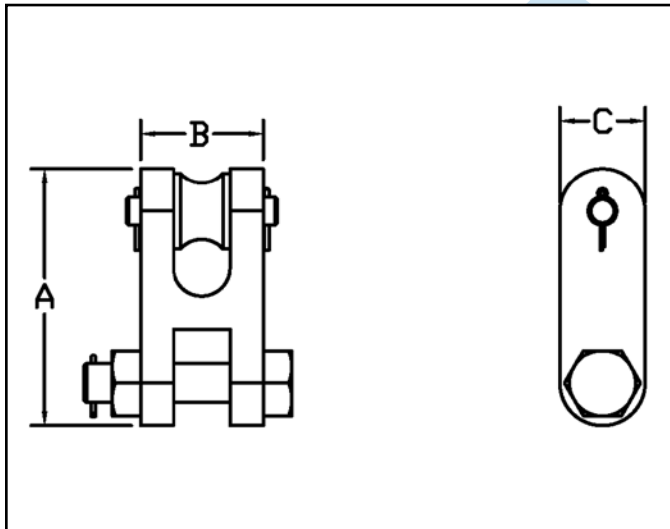


**Highline Shear Pin**



Part Number	Dimensions			NSN
	A	B	C	
5177046	6.81"	3.25"	2.25"	1450-01-180-4917



Underway Replenishment Systems  
Navy Standard Valves  
Fluid Control Systems

Telephone: 814-445-9671 • FAX: 814-443-1453  
www.globalstfc.com • www.unrep.us